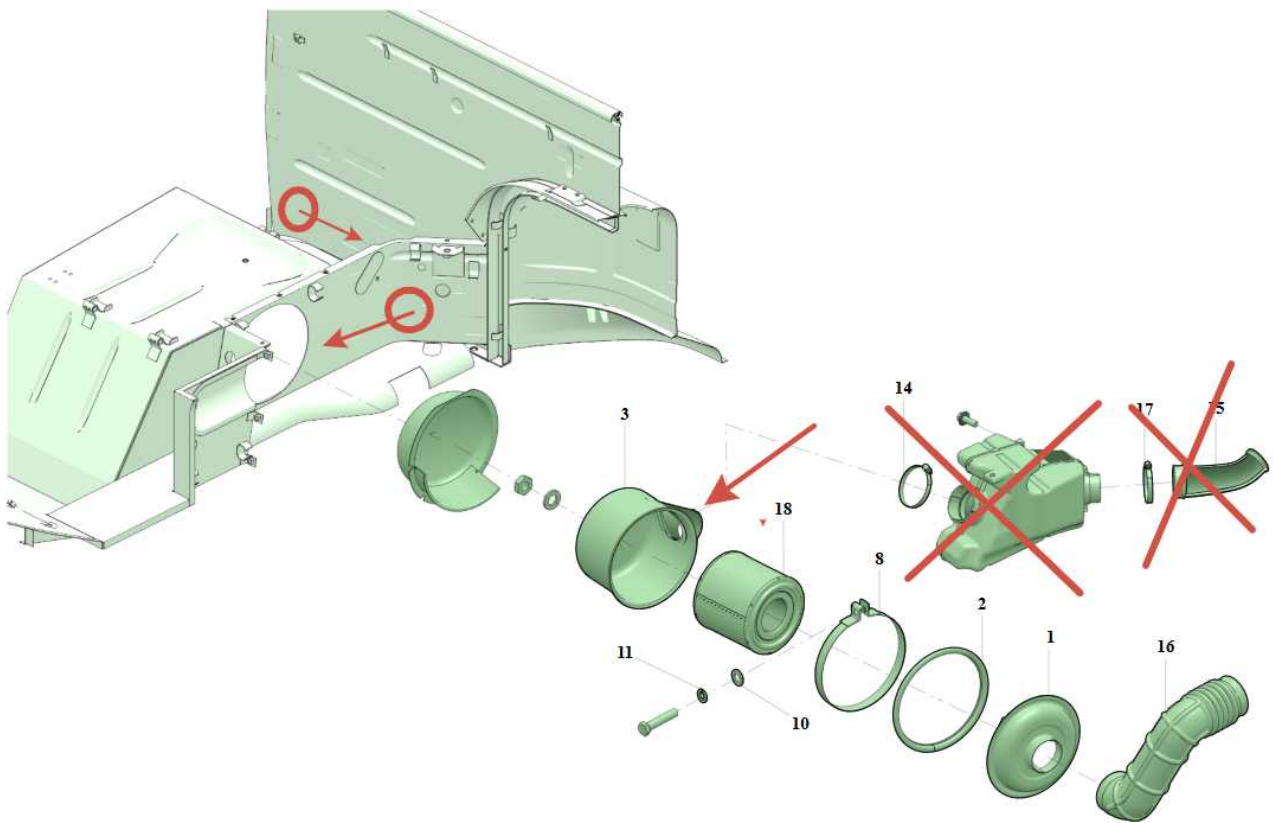


The pipe is entering the separation wall behind passengers seat and than entering the engine compartment.



The compensator is being removed with down pipe. The flexible pipe to the snorkel is connected to the air filter housing.